

## FAT-4A Installation Manual

### 1. Description :

The equipment is used as a termination point for the feeder cable to connect with drop cable in FTTx communication network system. The fiber splicing, splitting and distribution can be done in this box, and in meanwhile, it provides solid protection and management for the FTTx network building.

### 2. Features :

1. Total enclosed structure.
2. Material: PC+ABS, wet-proof, water-proof, dust-proof, anti-aging, protection level up to IP66.
3. Clamping for feeder cable and drop cable, fiber splicing, fixation, storage, distribution...etc all in one.
4. Cable, pigtails, patch cords are running through own path without disturbing each other, cassette type SC adaptor installation, easy maintenance.
5. Distribution panel can be flipped up, feeder cable can be placed in a cup-joint way, easy for maintenance and installation.
6. Cabinet can be installed by the way of wall-mounted or poled-mounted, suitable for both indoor and outdoor uses.

### 3. Specification :

#### 1. Environmental requirement

Working temperature:  $-40^{\circ}\text{C}\sim+85^{\circ}\text{C}$

Relative humidity:  $\leq 85\%$  ( $+30^{\circ}\text{C}$ )

Atmospheric pressure: 70KPa $\sim$ 106Kpa

#### 2. Main technical datasheet

Insertion loss:  $\leq 0.2\text{dB}$

UPC return loss:  $\geq 50\text{dB}$

APC return loss:  $\geq 60\text{dB}$

Life of insertion and extraction:  $> 1000$  times

#### 3. Thunder-proof technical datasheet

The grounding device is isolated with the cabinet, isolation resistance is less than  $1000\text{M}\Omega/500\text{V}$  (DC);

$\text{IR} \geq 1000\text{M}\Omega/500\text{V}$

The withstand voltage between grounding device and cabinet is no less than 3000V (DC) /min, no puncture, no flashover

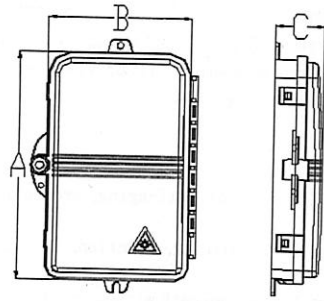
:  $U \geq 3000\text{V}$

### 4. Configuration table :

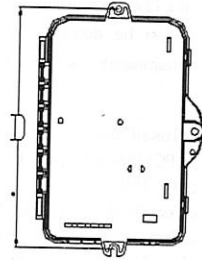
Table 1 Model and configuration

Model	Description	Size (Pic 1)	Max Capacity			Installation Size(Pic 2)
		A*B*C(mm)	SC	LC	PLC	D (mm)
FAT-4A	Distribution Box	186*116*41	4	8	8 (LC)	195

## FAT-4A Installation Manual

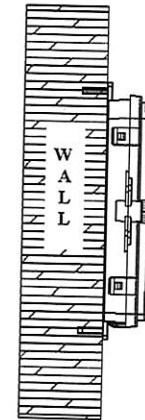


Pic 1 Box Size



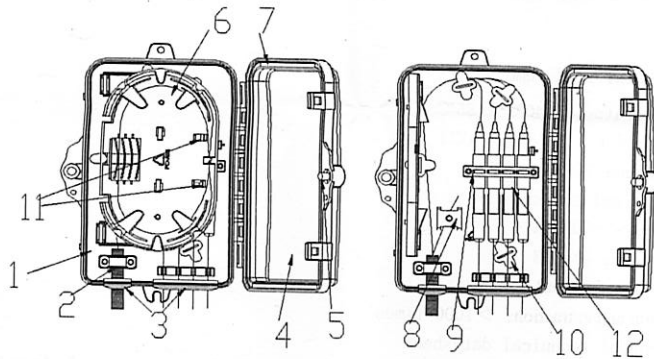
Pic 2 Installation Size

## FAT-4A Installation Manual



Pic 4 Wall mounted installation

### 5. Product cable ways :



1. Base; 2. Main cable mound layer; 3. water-proof rubber tube; 4. Lid; 5. Lock; 6. Flap plate;  
7. Seal gasket; 8. Main cable strengthen mound layer; 9. Adaptor holder; 10. Pigtail  
bar; 11. PLC Mounting position; 12. Adaptor.

Pic 3 Cable ways

### 7. Accessories :

1. User Manual\*1.
2. Key\*1.
3. Accessories Bag \* 1

### 6. Installation :

#### 1. Wall-mounted installation

Drill 4 holes over the wall based on the size in table 1, place the expansion bolt  $\Phi 7.5 \times 40$ , place the box to match up the holes and use bolt to fasten. (Pic 4)